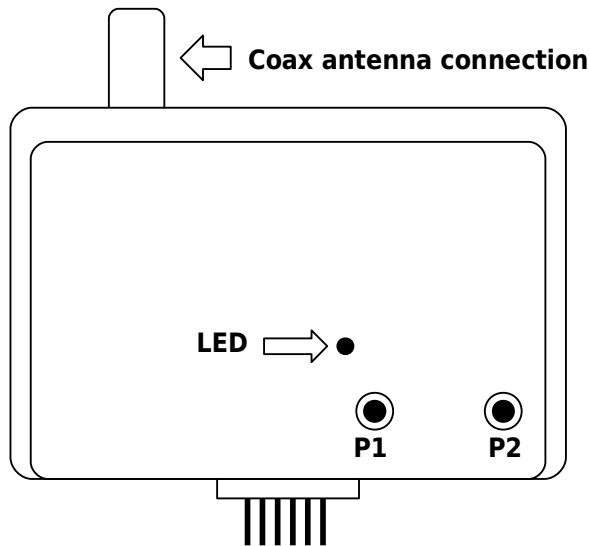
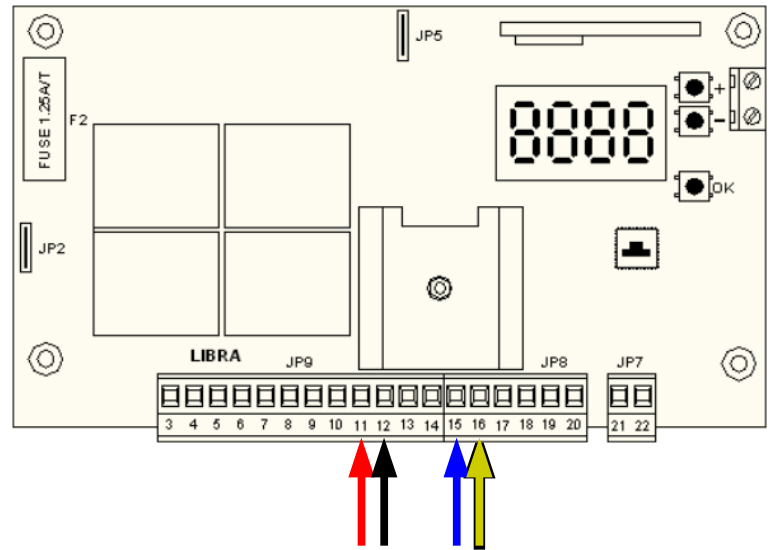


KHLKIT – LIBRA UL R INSTALLATION

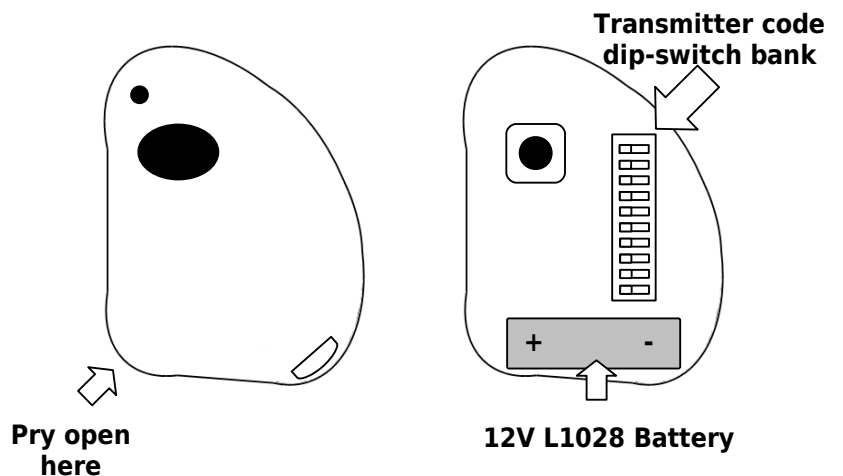
HOMELINK COMPATIBLE RECEIVER / TRANSMITTER KIT

1. Connect the red receiver lead to terminal 11 on the Libra board.
2. Connect the black receiver lead to terminal 12 on the Libra board.
3. Connect the blue receiver lead to terminal 15 on the Libra board.
4. Connect the yellow receiver lead to terminal 16 on the Libra board.



Harness wire color legend:

- Red & Black: Power supply, 12 to 24 V AC or DC
- Blue & Yellow : Channel 1 normally open output
- Green & Orange: Channel 2 normally open output



TRANSMITTER INDIVIDUALIZATION:

- Open up the transmitter by prying on corner as illustrated.
- Change the transmitter code by moving the switches on the dip-switch bank.
- Carefully close transmitter by snapping enclosure back in place.

TRANSMITTER PROGRAMMING:

- Press and hold the receiver channel button until LED lights on (**P1** for channel 1; **P2** for channel 2).
- Press button on transmitter to be programmed.

RECEIVER MEMORY DELETION:

- Press and hold **P1**.
- WITHOUT RELEASING **P1**, when the LED lights up, press and hold **P2** for 10 seconds.
- Release both buttons. LED will flash 6 times indicating memory deletion.

