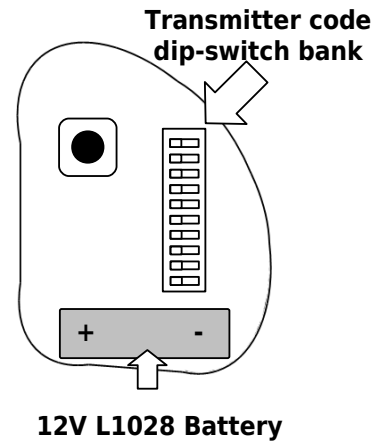
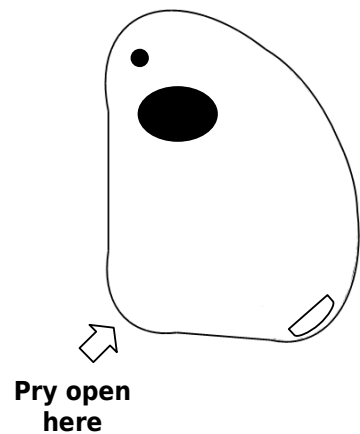
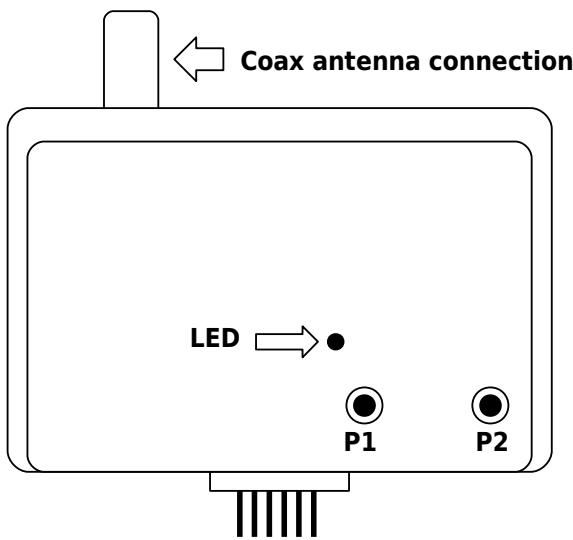


# UAC HOMELINK THALIA WIRING

<b>RED</b>	Receiver lead to Terminal <b>51</b> (Power +)
<b>BLACK</b>	Receiver lead to Terminal <b>50</b> (Power -)
<b>BLUE</b>	Receiver lead to Terminal <b>60</b> (Relay Common)
<b>YELLOW</b>	Receiver wire to Terminal <b>61</b> (Relay N.O.)

POWER +	-----	<b>51</b>
POWER -	-----	<b>50</b>
RELAY COMMON	-----	<b>60</b>
RELAY N.O.	-----	<b>61</b>



**Harness wire color legend:**

- Red & Black: Power supply, 12 to 24 V AC or DC
- Blue & Yellow : Channel 1 normally open output
- Green & Orange: Channel 2 normally open output

**TRANSMITTER INDIVIDUALIZATION:**

- Open up the transmitter by prying on corner as illustrated.
- Change the transmitter code by moving the switches on the dip-switch bank.
- Carefully close transmitter by snapping enclosure back in place.

**TRANSMITTER PROGRAMMING:**

- Press and hold the receiver channel button until LED lights on (**P1** for channel 1; **P2** for channel 2).
- Press button on transmitter to be programmed.

**RECEIVER MEMORY DELETION:**

- Press and hold **P1**.
- WITHOUT RELEASING **P1**, when the LED lights up, press and hold **P2** for 10 seconds.
- Release both buttons. LED will flash 6 times indicating memory deletion.



For technical assistance call: (US toll free) 877-995-8155 or 561-995-8155 tuned to you