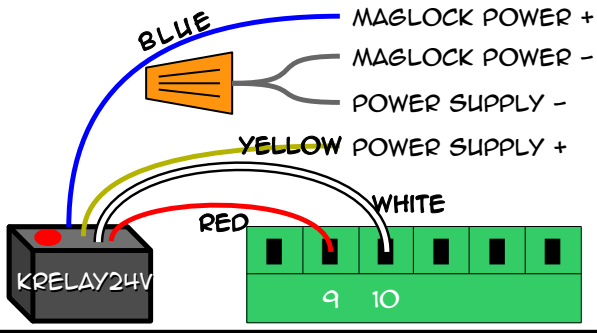


# UAC MAG LOCK WIRING

## HIDE & LIBRA UL

TO WIRE A **MAGLOCK**, P/N: KRELAY24V AND A DEDICATED POWER SUPPLY FOR THE LOCK MUST BE PROVIDED



## THALIA P

### EXTERNAL LOCK WIRING PROGRAMMING:

	LOGIC >	LOCK >	000 = 12V SOLENOID LOCK
			001 = 12V MAGLOCK
+ LOCK POWER -----		28	002 = 24V SOLENOID LOCK
- LOCK POWER -----		29	003 = 24V MAGLOCK

## THALIA

### EXTERNAL LOCK WIRING

P/N: KRELAY24V IS REQUIRED (NOT INCLUDED)

