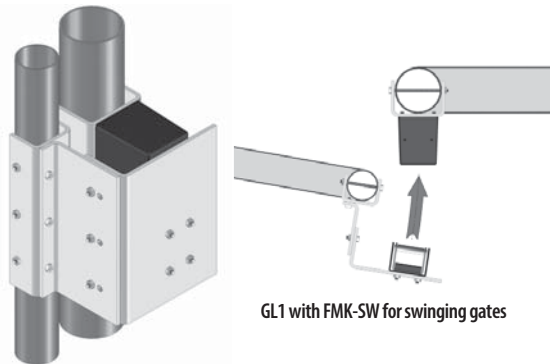
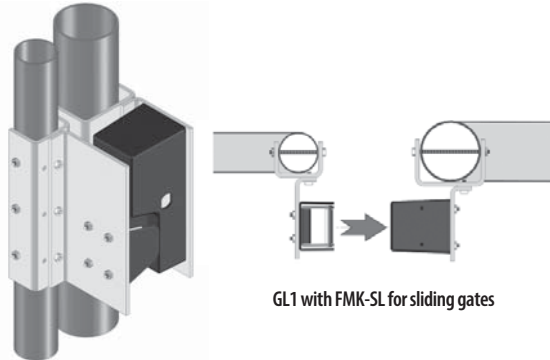


## Electromechanical Gate Solution Offers One Ton of Holding Power

The heavy duty GL1 Electromechanical Gate Lock provides weather-resistant access control for a wide range of gate applications. The GL1 provides 2000lbs of holding force for electrical and manually operated indoor or outdoor gates where preload is a concern. Ideal for swinging or sliding vehicle, pedestrian, or stock gate access control. Use with the BPSS Solar Power Supply for remote outdoor locations.\*

### PRODUCT FEATURES

- 2000lbs holding force
- Operates under preload up to 100lbs
- Automatic dual voltage - no field adjustment required
- Field-selectable fail secure/fail safe
- Manual key override (right or left hand)
- Self-aligning receiver (+/- 1/2" horizontally) helps compensate for gate misalignment and sag
- Tamper resistant cast aluminum housing
- Latch status monitor switch (SPDT)
- Heavy wall 1/2" inside diameter threaded steel coupling
- Hardened steel latch and pin standard
- Surface mount
- MagnaCare Lifetime Replacement No Fault Warranty



# GL1

## 2000lbs Holding Force Gate Lock



#### Specifications:

- Holding Force: 2000lbs [907 kg]
- Dimensions: 2-3/4" L x 7-1/4" W x 3-1/4" D
- Patent Pending

#### Electrical:

12 Volts Initial (Peak): (~1.0 sec.) @ 870mA - Reduced: 290mA Power Consumption: 3.5 Watts  
 24 Volts Initial (Peak): (~1.0 sec.) @ 720mA - Reduced: 170mA Power Consumption: 4.1 Watts

#### Operating Temperature:

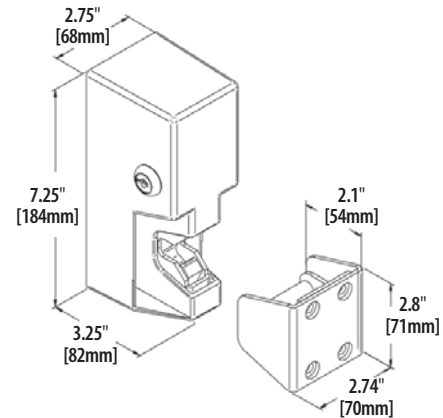
-58 to +167F [-50 to +75C]  
 Indoor or outdoor use

#### Shipping Weight:

6lbs [2.72 kg]

#### Finishes:

Black Crinkle Powder Coated Finish



#### MODELS Part # Description

GL1  
 Gate Lock 2000 lbs

\*For BPSS information, see page 81.



**SECURITRON**  
**ASSA ABLOY**