

Polarized Retro-Reflective Photo-beam Sensor

P/N: KIRPOLAPHOTO01

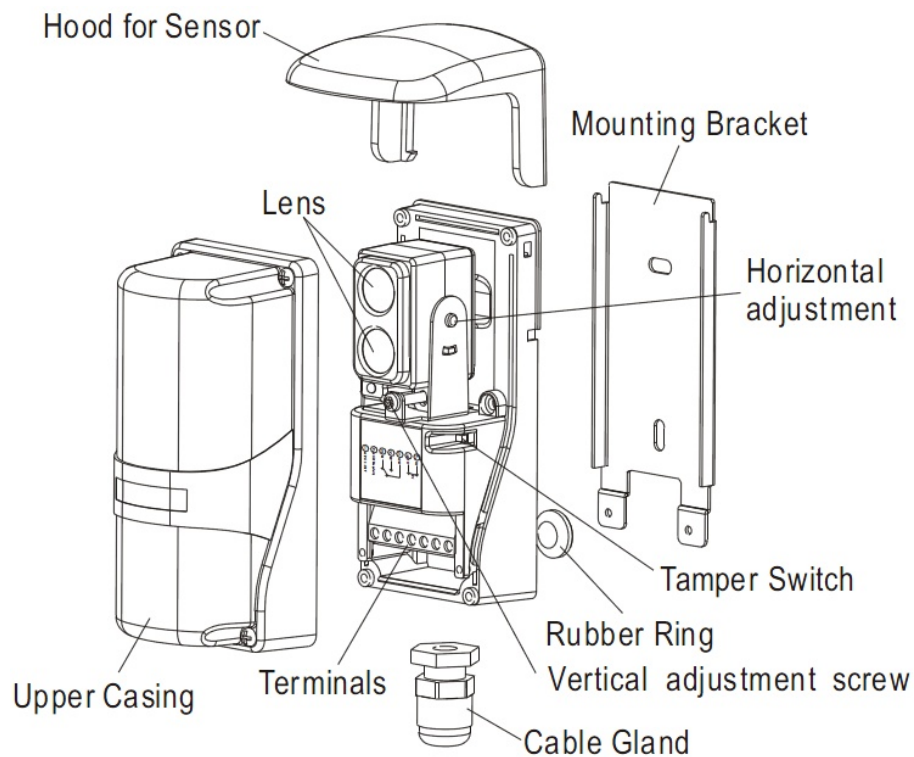
Fail-safe

SPECIFICATIONS

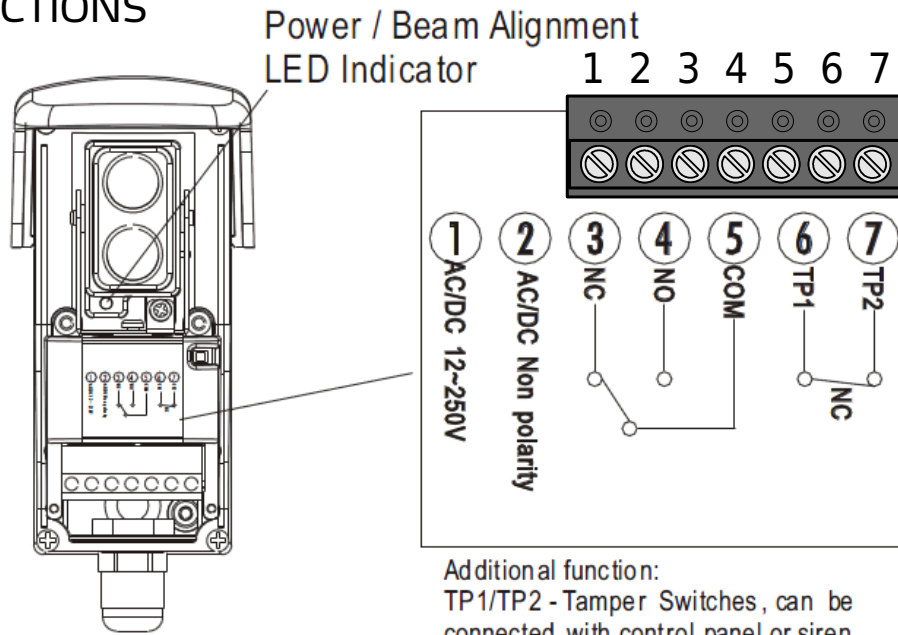
Input voltage	12 to 250 V AC/DC
Range	32 ft. / 10 m
Response time	10 msec.
Relay react time	100 msec.
Weather rating	IP66*
Operating temperature F	-13 to 140°F
Operating temperature C	-25 to 60°C
Contact @ 120VAC	0.5A
Contact @ 30VDC	1A

* When properly installed with supplied cable gland

COMPONENTS



CONNECTIONS



Additional function:
TP1/TP2 - Tamper Switches, can be connected with control panel or siren as burglar alarm.

LED INDICATOR	
RED	NOT ALIGNED
RED - FLASHING	MARGINALLY ALIGNED
GREEN	ALIGNED

CONNECTION GUIDE FOR BFT CONTROL BOARDS

TERMINAL	DESCRIPTION	HIDE	LIBRA	QSCD	RIGEL 4	RIGEL 5	THALIA P	THALIA
1	12 - 250 V AC/DC	11	11	12	15	20	50	50
2	12 - 250 V AC/DC	12	12	13	16	21	51	51
3	Relay - Normally Closed	18	18	24	32	55	74	72
4	Relay - Normally Open							
5	Relay - Common	15	15	21	33	52	70	70
6	Tamper Switch - NC							
7	Tamper Switch - COM							

DIMENSIONS

