



Opens the future

ICARO FAST

ELECTROMECHANICAL AUTOMATION FOR RACK SLIDING GATES



• SMART TECHNOLOGY.

→ Incorporated two-channel rolling code radio receiver, plug-in connector for connection of a second receiver.

→ Control unit with self-learning and self-diagnostic functions of the parameters: brake, torque, obstruction detection.

→ Control unit compatible with the EELink protocol.

• SAFE USE.

→ Thanks to the obstruction sensing device, the operator reverses motion and prevents damage to people and vehicles in the event of contact.

• SIMPLER INSTALLATION.

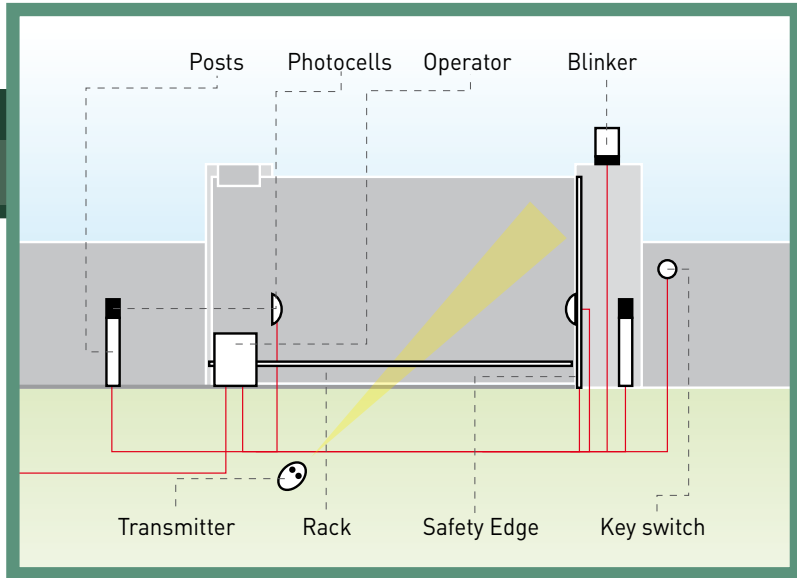
→ Incorporated control unit positioned frontally for easier accessibility.

→ Control unit programming by LCD display.

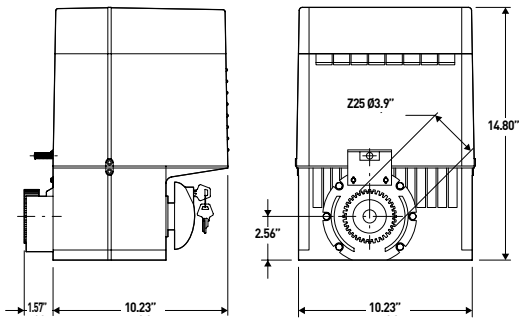
REFERENCE	DESCRIPTION	VOLTAGE	LEAF WEIGHT
P925185 00002	ICARO FAST	120 V	up to 2200 lb (~1000 Kg)

TECHNICAL FEATURES

	ICARO MA
CONTROL PANEL	LEO D (incorporated)
REVERSIBLE/IRREVERSIBLE OPERATOR	irreversible
POWER SUPPLY	120 V, 60 Hz single-phase
ABSORBED POWER	1 hp (750 W)
THERMAL PROTECTION	integrated
LEAF SPEED	7.9 ips (12 m/min)
OUTPUT ROTATIONAL SPEED	37 rpm
PINION PITCH	4 mm (25 teeth)
IMPACT REACTION	electronic clutch with encoder
LIMIT SWITCHES	electromechanical
MANUAL RELEASE	mechanical release with knob
OPERATING CYCLE	intensive use
ENVIRONMENTAL CONDITIONS	from 5°F (-15°C) to 140°F (+60°C)
DEGREE OF PROTECTION	IP24
OPERATOR WEIGHT	56 lb (~25 kg)
DIMENSIONS	see drawing next page



DIMENSIONS



ACCESSORIES



P111376 - SCS 1
Serial connection interface for QSC D UL, RIGEL 5 and LEO D.



N999158 - MSC
Personalised key release knob.



D571054 - CFZ
22x22 4mm-pitch galvanised steel rack. 6' 6" length.



D571053 - CVZ
30x12 4mm pitch galvanised adjustable steel rack 3' 3" length.



N190039 - CSP 10
Shock absorber profile, length 3' 3".



N190040 - CSP 20
Shock absorber profile, length 6' 6".



N190041 - CSP 25
Shock absorber profile, length 8' 2".



D531548 - KI
Blank spare key for release Knob