

# lux bt 2b

# lux g bt 2b quick reference

VERSION: 120808C

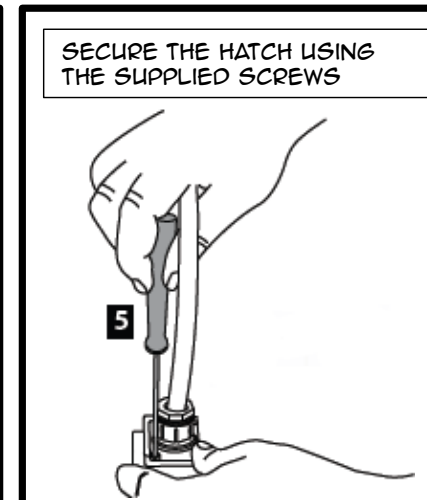
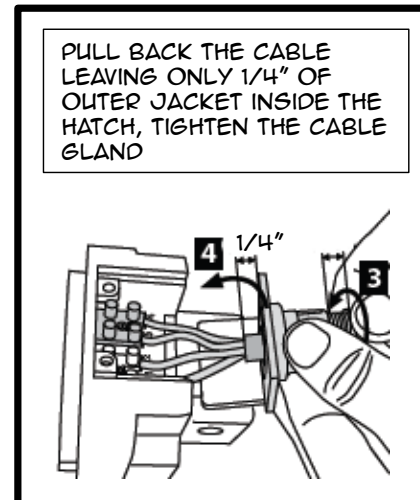
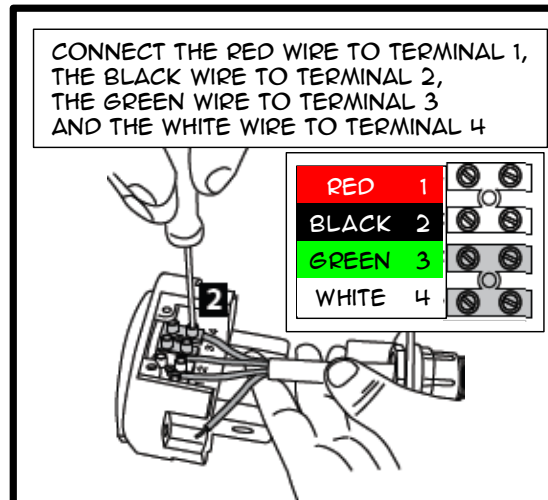
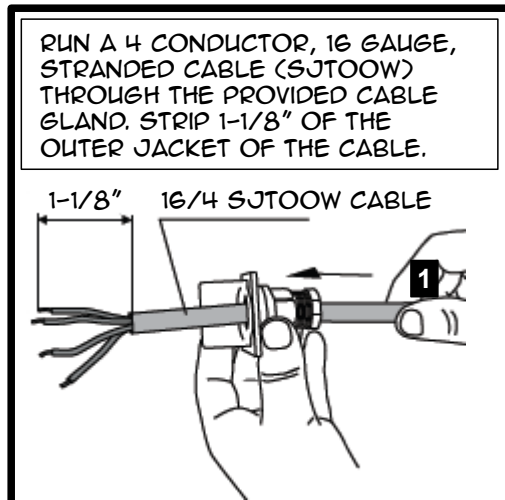
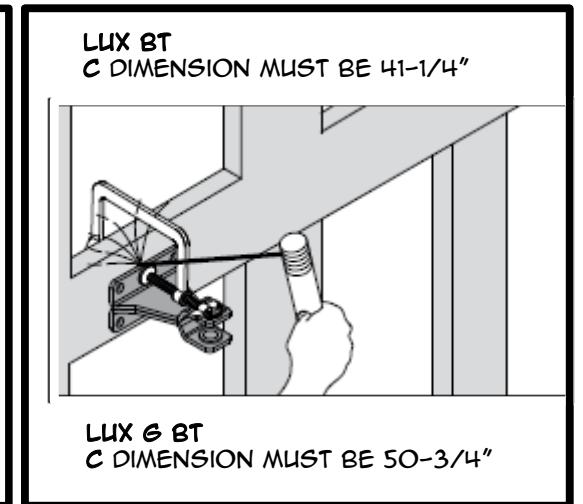
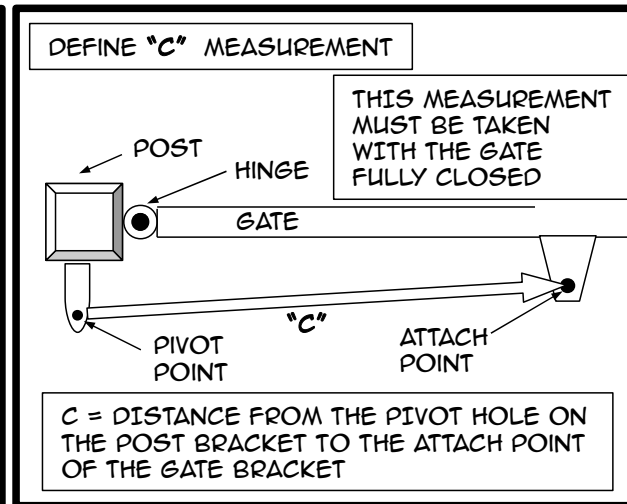
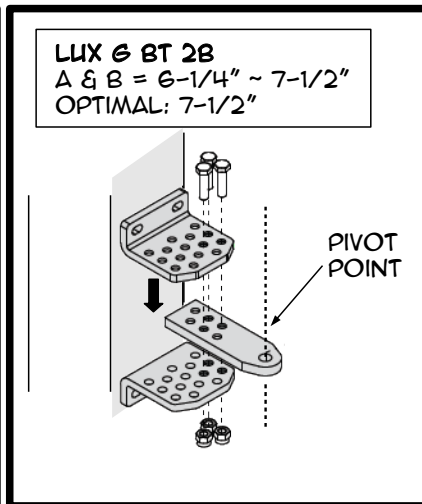
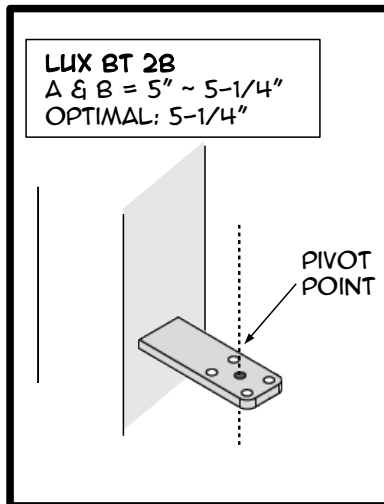
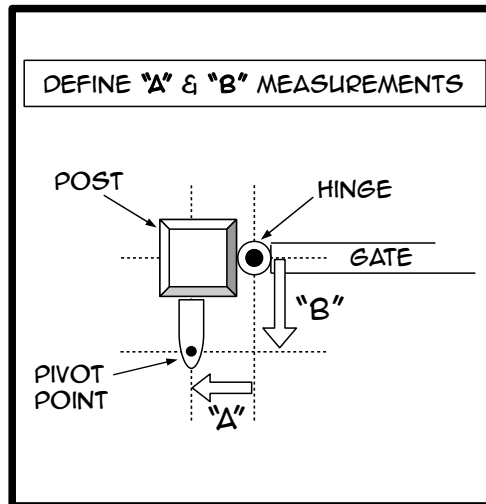


**MUST USE 16/4 SJTOOW CABLE. NO SPLICING BETWEEN ACTUATOR AND CONTROL BOARD**

### CAPACITY

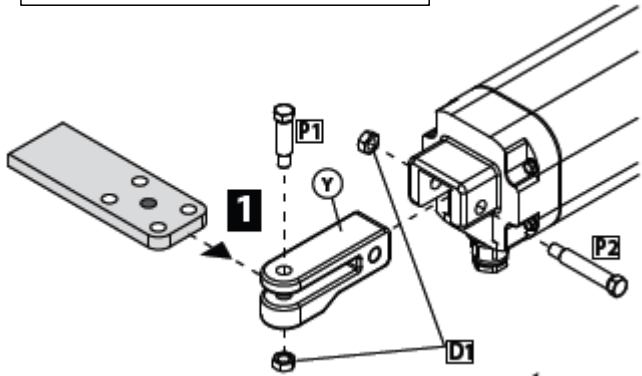
LUX BT: 660 LBS / 10 FT. MAX

LUX G BT: 1750 LBS / 16 FT. MAX



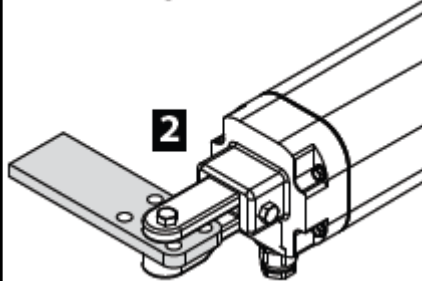
**LUX BT ONLY!**

ASSEMBLE THE TAIL SECTION OF THE ARM AS SHOWN



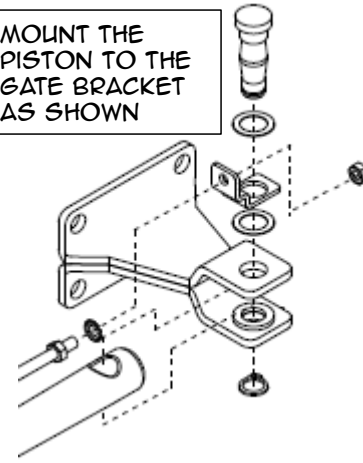
**LUX BT ONLY!**

MOUNT THE TAIL SECTION TO THE POST BRACKET



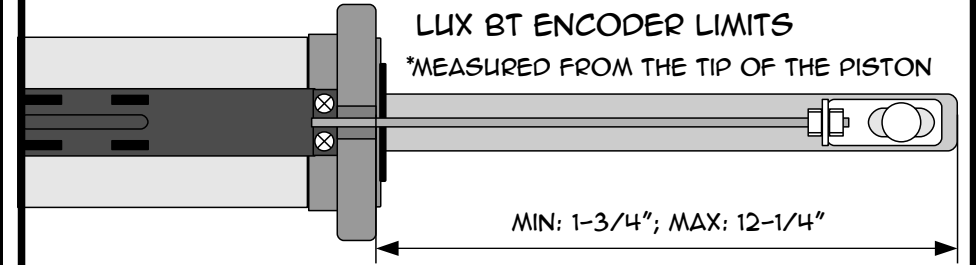
**LUX BT ONLY!**

MOUNT THE PISTON TO THE GATE BRACKET AS SHOWN



**LUX BT ENCODER LIMITS**

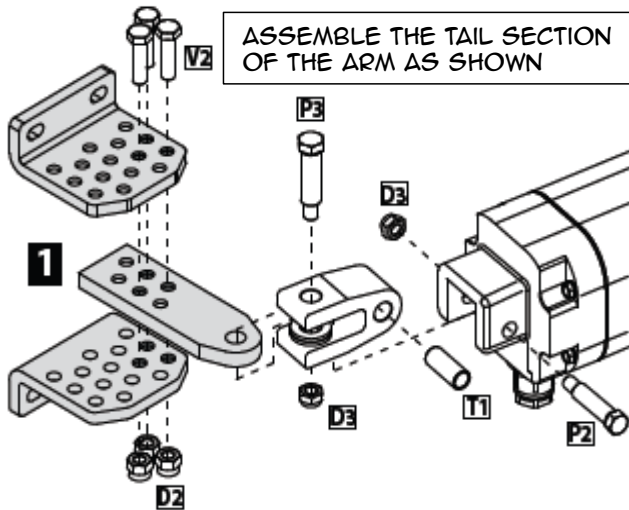
\*MEASURED FROM THE TIP OF THE PISTON



THE ENCODER EXTENSION AND RETRACTION LIMITS MUST NEVER BE EXCEEDED. FAILURE TO DO SO WILL RESULT IN ERROR MESSAGE ("ERSU") BY THE CONTROLLER DURING THE TRAVEL LIMIT SETTING.

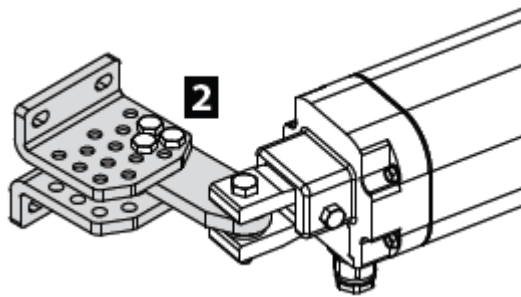
**LUX G BT ONLY!**

ASSEMBLE THE TAIL SECTION OF THE ARM AS SHOWN



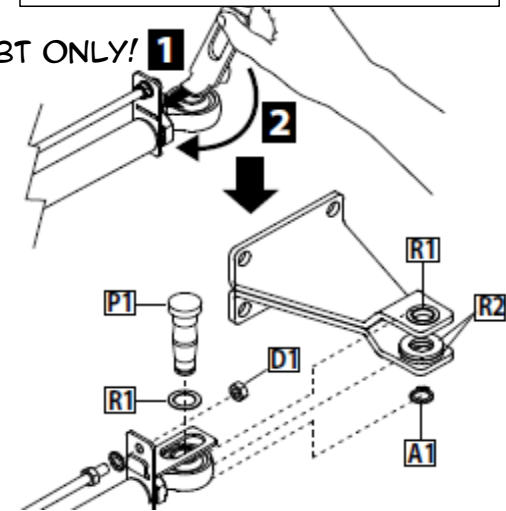
**LUX G BT ONLY!**

MOUNT THE TAIL SECTION TO THE POST BRACKET



LUBRICATE THE BALL JOINT AND MOUNT THE PISTON TO THE GATE BRACKET AS SHOWN

**LUX G BT ONLY!**

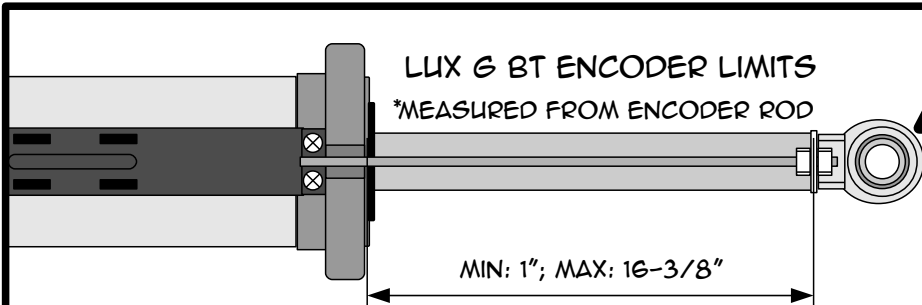


**LUX G BT ENCODER LIMITS**

\*MEASURED FROM ENCODER ROD



THE ENCODER EXTENSION AND RETRACTION LIMITS MUST NEVER BE EXCEEDED. FAILURE TO DO SO WILL RESULT IN ERROR MESSAGE ("ERSU") BY THE CONTROLLER DURING THE TRAVEL LIMIT SETTING.



**MANUAL OPERATION**

TO MANUALLY OPERATE THE GATES, OPEN THE VALVE ON TOP OF THE ACTUATOR BY TURNING COUNTER-CLOCKWISE WITH THE SUPPLIED KEY. DO NOT SWING THE GATE FASTER THAN ITS NORMAL OPERATION SPEED

