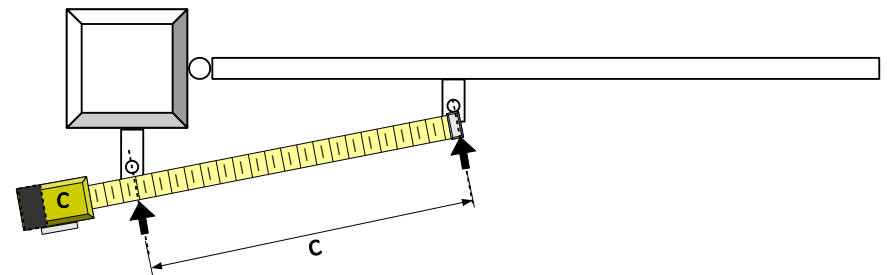
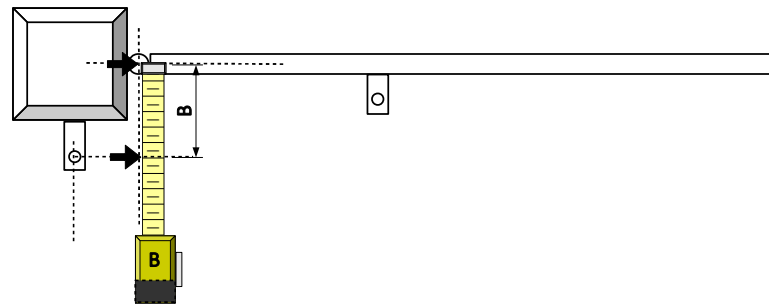
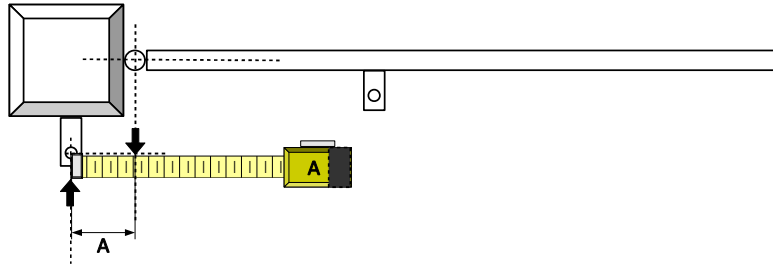


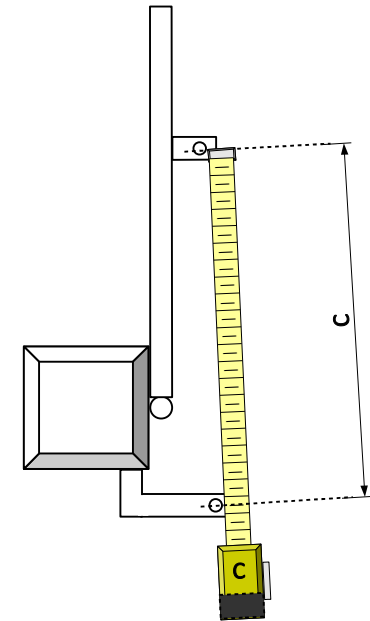
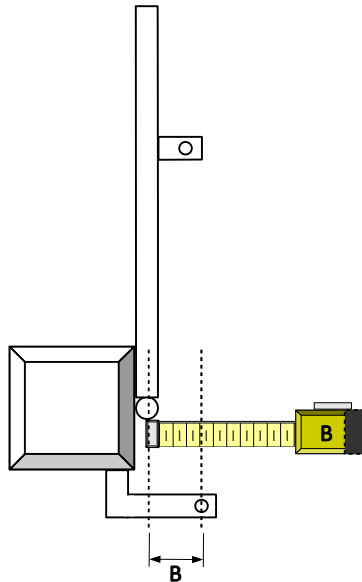
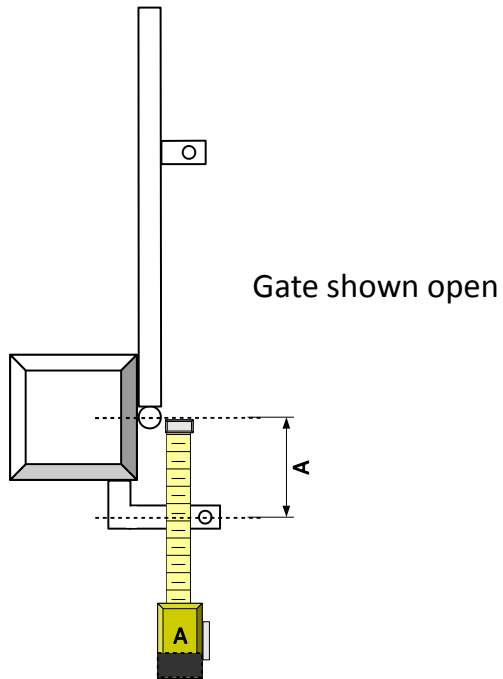
# Bft geometry - Pull to open



Gate must be fully closed for this measurement

Actuator	A & B	C
Phobos BT	5.5	39
Phobos N BT	5.25 ~ 5.75	27.5
Phobos N L BT	7 ~ 7.5	32
Lux	4.75 ~ 5.25	38.75
Lux G	7 ~ 7.5	48.75
Lux BT	5 ~ 5.25	41.25
Lux G BT	6.25 ~ 7.5	50.75

# Bft geometry - Push to open



Actuator	A & B	C
Phobos BT	5.5	39
Phobos N BT	5.25 ~ 5.75	27.5
Phobos N L BT	7 ~ 7.5	32
Lux	4.75 ~ 5.25	38.75
Lux G	7 ~ 7.5	48.75
Lux BT	5 ~ 5.25	41.25
Lux G BT	6.25 ~ 7.5	50.75

Gate must be open 90° for this measurement