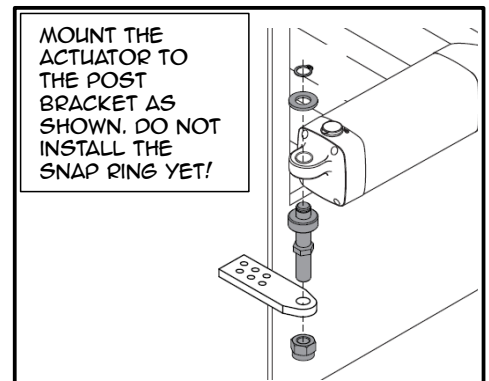
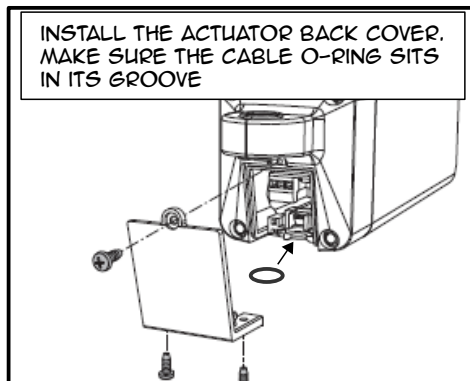
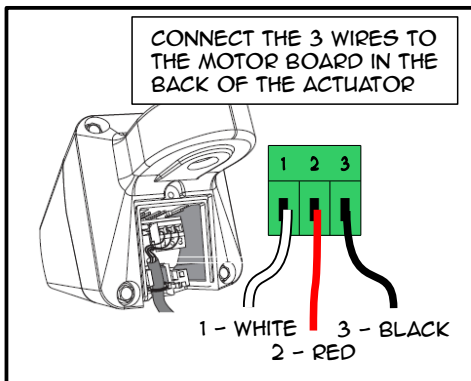
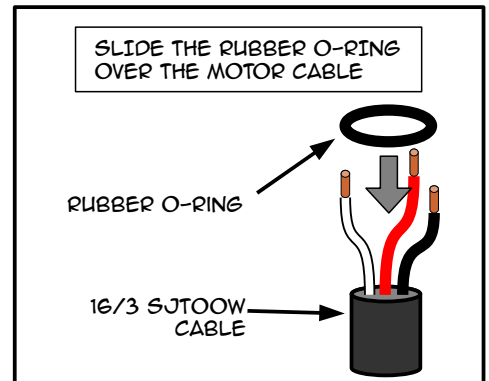
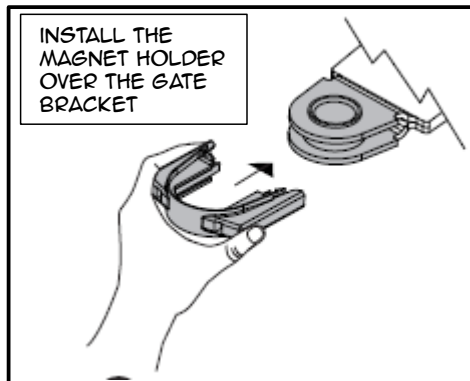
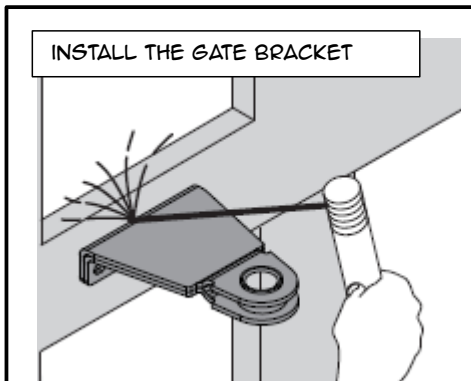
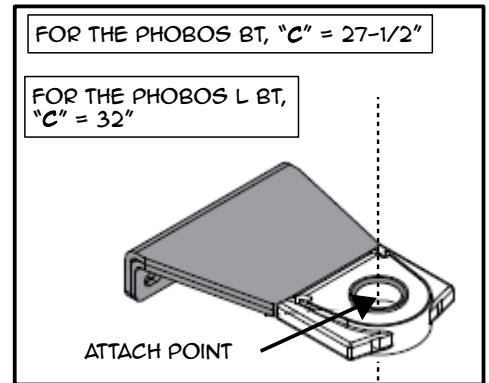
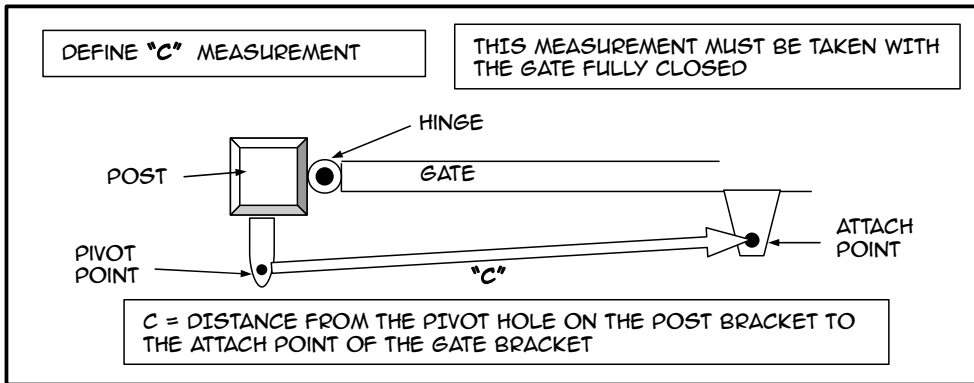
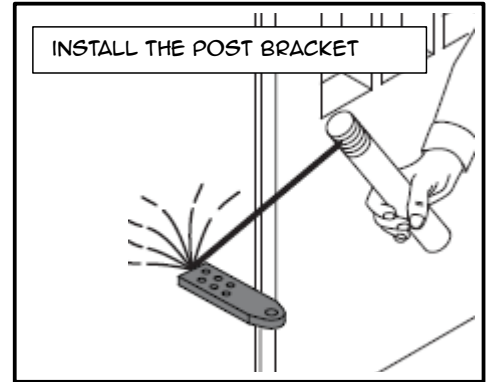
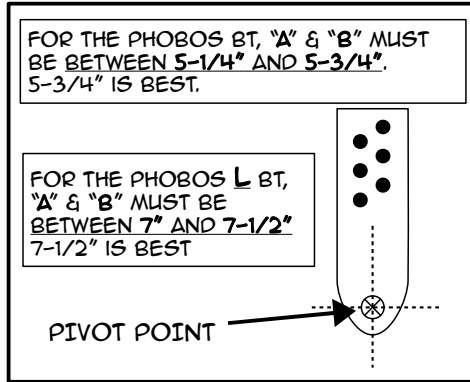
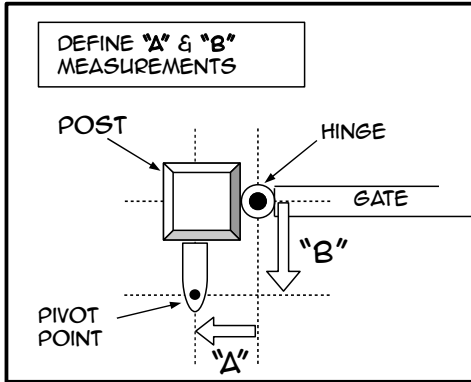


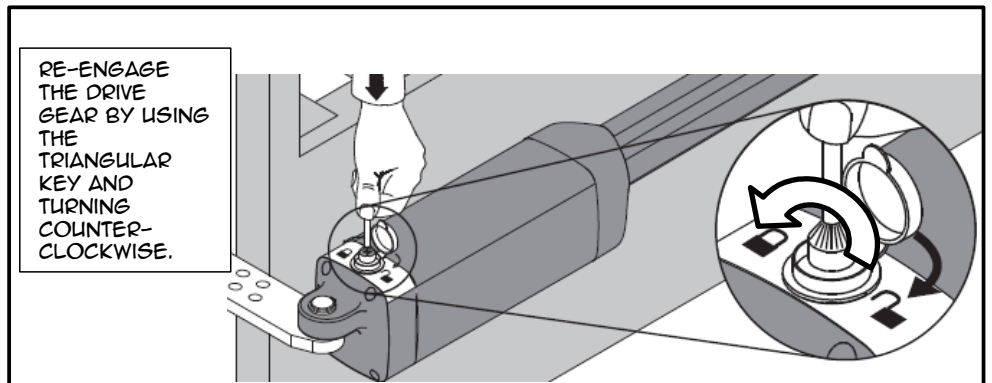
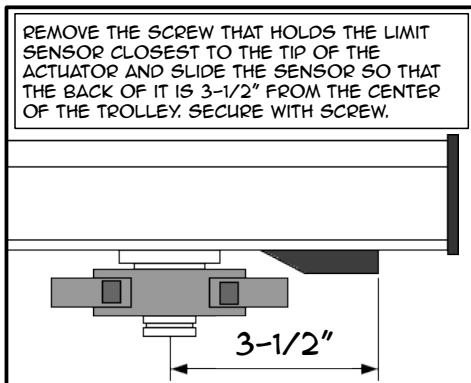
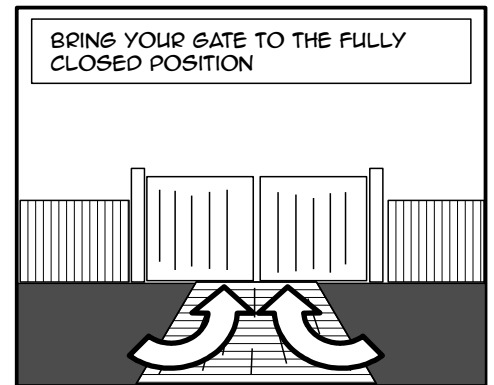
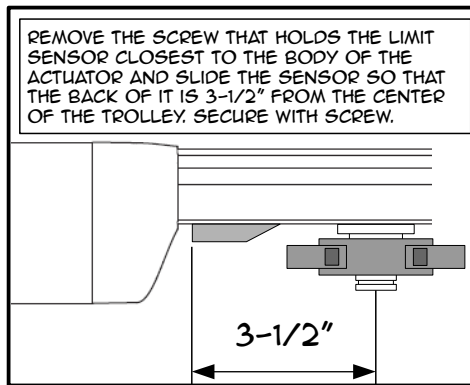
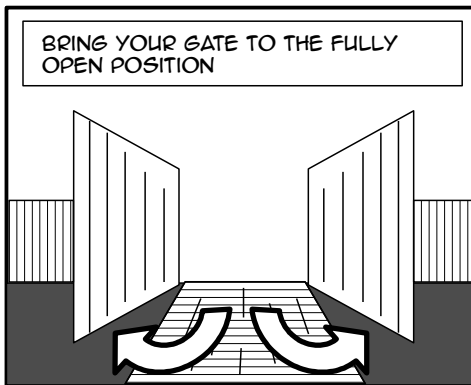
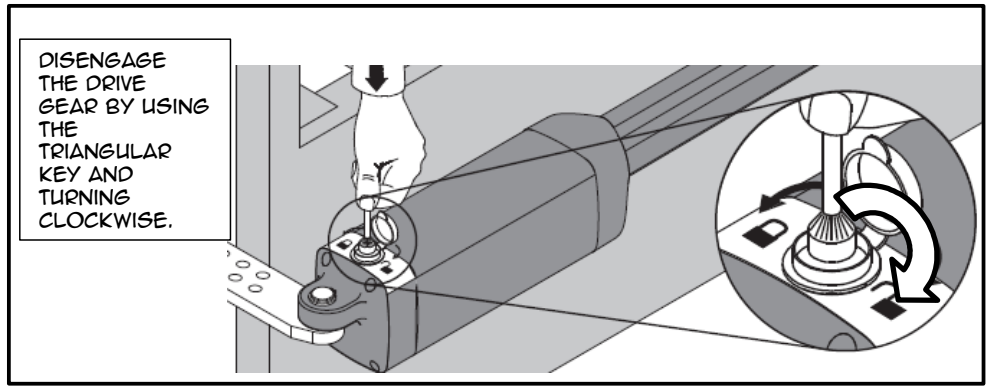
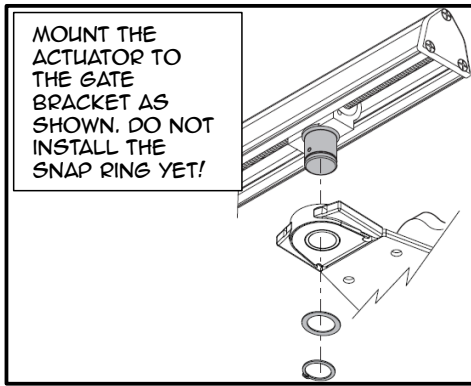
# phobos bt

## phobos l bt **quick** installation



CONTINUES ON OTHER SIDE...

...CONTINUED FROM OTHER SIDE



AFTER CONNECTING THE ACTUATOR TO THE CONTROL BOARD, CYCLE YOUR GATE AND CHECK YOUR LIMITS. ADDITIONAL ADJUSTMENT OF YOUR LIMIT SENSORS MIGHT BE NECESSARY FOR FINE TUNING. ONCE ALL YOUR ADJUSTMENTS HAVE BEEN MADE, INSTALL BOTH SNAP-RINGS TO SECURE THE ACTUATOR.